

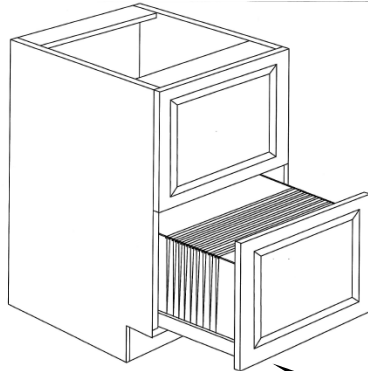
# We Just Couldn't Resist Making Some Adjustments



**NEW PRODUCT BULLETIN!!!**

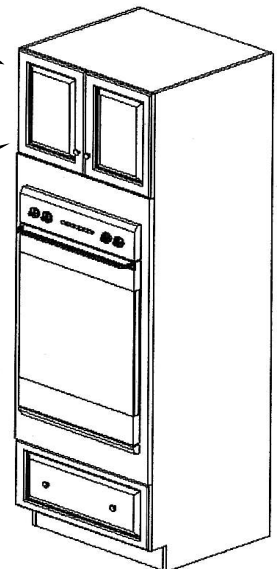
## Ward's Makes Additional Product Changes Based On Customer Suggestions

Ward's is thankful for the great suggestions that we get from our customers. The lion's share of our product changes and additions is driven by customer feedback. This announcement includes even more product modifications resulting from customer input.



A customer asked "why don't you put full depth shelves in the top compartment of your tall oven cabinets?"

We said "yeah, why don't we do that?" So, we did it.

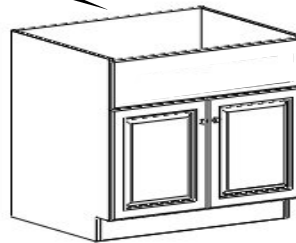


A customer said "it would be great if you'd add a file drawer with a metal type file frame."

We said, "hey, we think we'll add a file drawer with a metal type file frame in addition to our current wood drawer box file cabinet."

Another customer said "you know, providing a slab drawer front with your farm sink base would give us something to trim out the cabinet face after installing the apron sink."

After contemplating the possible beautiful outcomes, we concurred.



**Coming Later In June 2008**